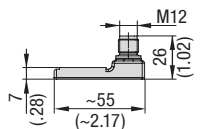


Connection Details and Electrical Functions

Type DD: Five-pin circular connector M12, A-coded, according to IEC 61076-2-101

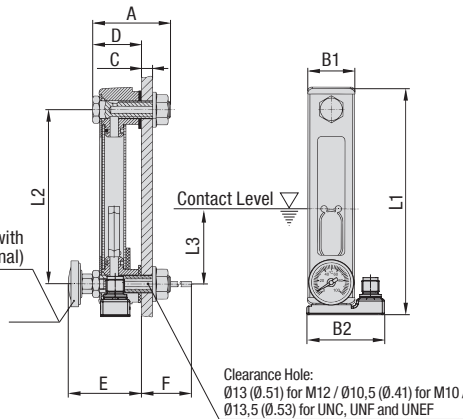


1 Contact opens and 1 contact closes when fluid level drops below contact level

Pin assignment at empty reservoir (default setting at point of delivery)



Dial Thermometer with Probe T1/T2 (optional)



Level Gauge (Compact Design) Type SNKK



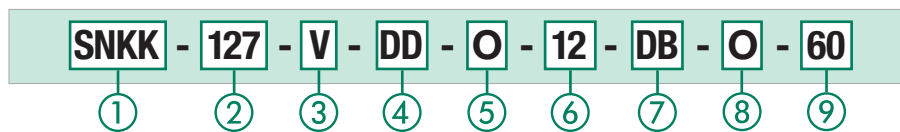
–40mm / –1.57in in comparison with Level Gauges SNK

Dimensions

Maximum admissible tolerance for the bolt center spacing (dimension L2) according to DIN ISO 2768-f: ±0,20mm / .008in for all nominal sizes.

Nominal Size	Dimensions (mm/in)										
	A	B1	B2	C (Max.)	D	E	F (with T1)	F (with T2)	L1	L2	L3
SNKK-127	56	34,5	~55	8	35,1	51,5	157,5	257,5	165	127	~60
	2.20	1.36	~2.17	.32	1.26	2.03	6.20	10.14	6.50	5.00	~2.36
SNKK-150	56	34,5	~50	8	35,1	51,5	157,5	257,5	188	150	~60
	2.20	1.36	~1.97	.32	1.26	2.03	6.20	10.14	8.98	5.91	~2.36
SNKK-176	56	34,5	~55	8	35,1	51,5	157,5	257,5	214	176	~60
	2.20	1.36	~2.17	.32	1.26	2.03	6.20	10.14	8.43	6.93	~2.36
SNKK-254	56	34,5	~55	8	35,1	51,5	157,5	257,5	292	254	~60
	2.20	1.36	~2.17	.32	1.26	2.03	6.20	10.14	11.50	10.00	~2.36
SNKK-305	56	34,5	~55	8	35,1	51,5	157,5	257,5	343	305	~60
	2.20	1.36	~2.17	.32	1.26	2.03	6.20	10.14	13.50	12.00	~2.36
SNKK-381	45	34,5	8	28	43,5	165,5	265,5	413	419	381	~60
	1.77	1.36	.32	1.10	1.71	6.52	10.45	16	18.07	15	~2.36

Order Codes



1 Type

Level Gauge with visual / electrical fluid level indication (compact design) **SNKK**

2 Nominal Size

SNKK-127 (nominal size of 127 mm / 5.00 in) **127**
 SNKK-150 (nominal size of 150 mm / 5.91 in) **150**
 SNKK-176 (nominal size of 176 mm / 6.93 in) **176**
 SNKK-254 (nominal size of 254 mm / 10.00 in) **254**
 SNKK-305 (nominal size of 305 mm / 12.00 in) **305**
 SNKK-381 (nominal size of 381 mm / 15.00 in) **381**
 Contact STAUFF for alternative nominal sizes and designs.

3 Sealing Material

FKM/FPM (Viton®) **V**

4 Electrical Function

SPDT (Single Pole Double Throw) contacts, 1 contact opens and 1 contact closes at contact level; Equipped with connector M12 **DD**

5 Thermometer Option

Supplied without thermometer (standard option) **O**
 Dial thermometer with probe (200 mm / 7.87 in) and a Celsius scale up to 100 °C **T1C**
 Dial thermometer with probe (300 mm / 11.81 in) and a Celsius scale up to 100 °C **T2C**
 Dial thermometer with probe (200 mm / 7.87 in) and a dual scale up to 100 °C / 200 °F **T1CF**
 Dial thermometer with probe (300 mm / 11.81 in) and a dual scale up to 100 °C / 200 °F **T2CF**

6 Banjo Bolt Size

Metric ISO thread M12 (standard option) **12**
 Metric ISO thread M10 **10**
 Unified coarse thread 1/2–13 UNC **U1**
 Unified fine thread 1/2–20 UNF **U2**
 Unified extra-fine thread 1/2–28 UNEF **U3**

7 Anti-Drain Valve Option

without (standard option) **O**
 Set A **DA**
 Set B **DB**
 Please see page 20 for details.

8 Thermo Switch / Temperature Sensor Option

Supplied without Thermo Switch / Temperature Sensor - Break Contact, opens at contact level (normally closed); Equipped with standard connector **O**
 Break Contact, opens at contact level (normally closed); Equipped with connector M12 **OD**
 Make Contact, closes at contact level (normally open); Equipped with standard connector **C**
 Make Contact, closes at contact level (normally open); Equipped with connector M12 **CD**
 Temperature Sensor TS-SNA/SNK-PT100; Equipped with connector M12 **PT100**
 Thermo Switches / Temperature Sensors only available for banjo bolt size M12. Please see pages 18 and 19 for details.

9 Switching Temperature

Contact switches at +60 °C / +140 °F **60**
 Contact switches at +70 °C / +158 °F **70**
 Contact switches at +80 °C / +176 °F **80**
 Contact switches at +90 °C / +194 °F **90**
 Only to be indicated when using a Thermo Switch.
 Options T1C/CF and T2C/CF are not available for banjo bolt size M10 and not be used in conjunction with Thermo Switches or Temperature Sensors.
 Please see page 18 for details.

Characteristics

Visual / electrical fluid level indication in hydraulic reservoirs with maximum tank pressures not exceeding 2 bar / 29 PSI; ideal for applications in which space is limited

Nominal Sizes and Designs

- 6 nominal sizes from 127 mm / 5.00 in to 381 mm / 15.00 in
- Compact design allows space-saving installation: Always 40 mm / 1.57 in shorter than Level Gauges SNK of the comparable nominal size
- Display either undivided (SNKK-127 ... 176) or subdivided by strut(s) into 2 (SNKK-254) or 3 sections (SNKK-305 and SNKK-381)

Media Compatibility

- Suitable for use with Mineral and Petroleum based hydraulic fluids (HL and HLP)

Materials

- Housing made of Aluminium, black powder-coated
- Sight tube and plugs made of Polyamide (PA)
- Float made of Polypropylene (PP)
- Sealings made of FKM/FPM (Viton®)

For the individual components of the level gauge (sight glass, housing, sealings, bolts), alternative materials for improved UV or chemical resistance, low-temperature applications down to -50 °C / -58 °F and use with special media (such as bio-degradable fluids, diesel oils, gasolines) are available on request.

Electrical Specifications

- Magnetic float activates switch when fluid level drops below contact level within 60 mm / 2.36 in of lower banjo bolt
- Available as a SPDT (Single Pole Double Throw) contact
- Equipped with five-pin circular connector M12 or Deutsch connector
- Direction of the electrical contact box is right to top by default

Technical Data

- IP 67 protection rating: Dust tight and protected against powerful water jets; even immersion (up to 1 m / 3.28 ft) in water is possible under defined conditions of pressure and time (IP 69K on request)
- Operating temperature range: -30 °C ... +80 °C / -22 °F ... +176 °F
- Recommended tightening torque: 8 N·m / 5.9 ft·lb
- Minimum lateral distance to other magnetic components and cables: 10 mm / .39 in

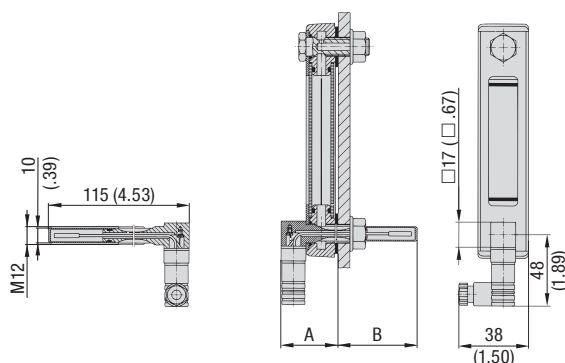
Accessories / Options

- Dial thermometers with probe and a Celsius or a dual Celsius / Fahrenheit scale with a temperature display range of up to +100 °C / +200 °F
 - Thermo Switches
 - Temperature Sensors
 - Deutsch Adaptor Cable
- Please see pages 18 / 19 / 20 for details.

Dimensional drawings: All dimensions in mm (in).

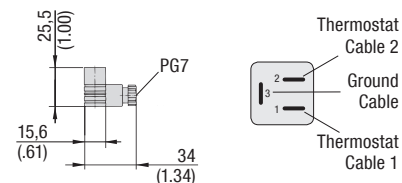


Thermo Switch Type TS

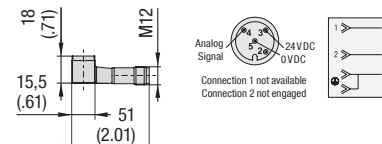


Connection Details and Electrical Functions

Types C and O: Industrial standard connector (contact gap: 9,4 mm / .37in), similar to DIN EN 175301-803-C / ISO 6952



Types CD and OD: Five-pin circular connector M12, A-coded, according to IEC 61076-2-101



Characteristics

Fluid temperature measurement in conjunction with STAUFF Level Gauges SNA, SNK and SNKK

Installation

- Replaces the lower banjo bolt of the Level Gauge
- Available for bolt size M12 only
- Clearance hole: Ø13 mm / Ø.51 in

Materials

- Metal parts made of Steel (1.0718)
- Plastic parts made of glass-fibre reinforced Polyamide (PA)

Electrical Specifications (General)

- Thermo switch is activated when the fluid temperature reaches the respective switching temperature
- Available with switching temperatures of +60 °C / +140 °F, +70 °C / +158 °F, +80 °C / +176 °F or +90 °C / +194 °F (with a switching tolerance of ±5 °C / ±9 °F and a hysteresis of 35 °C / 63 °F)
- Available as a break contact (normally closed) or make contact (normally open)
- Either equipped with industrial standard connector (types C / O) or five-pin circular connector M12 (types CD / OD)
- Thermo switch can be rotated by 360° to its final direction

Dimensions

	Dimensions (mm/in)	
	A	B
In conjunction with Level Gauge SNA	39	76
In conjunction with Level Gauge SNK	47	68
In conjunction with Level Gauge SNKK	47	68

Electrical Specifications (Alternating Current)

- Maximum voltage: 250 V, 2,5 (1,6) A, 50 Hz
- Maximum current at 2000 operations: 4,0 A at cos φ = 4,45 / 250 V, 135 °C
- Maximum current at 10000 operations: 2,5 A at cos φ = 1,00 / 250 V, 150 °C
- Minimum current: 20 mA

Electrical Specifications (Direct Current)

- Maximum voltage: 42 V

Accessories / Options

- Deutsch Adaptor Cable
- Please see page 20 for details.

Order Codes



① Type

Thermo Switch TS for use with Level Gauges SNA, SNK and SNKK **TS-SNA/SNK**

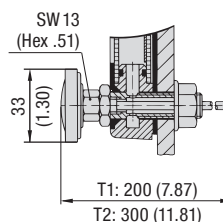
② Electrical Function

- Break contact, opens at switching temperature (normally closed); Equipped with standard connector **O**
- Break contact, opens at switching temperature (normally closed); Equipped with connector M12 **OD**
- Make contact, closes at switching temperature (normally open); Equipped with standard connector **C**
- Make contact, closes at switching temperature (normally open); Equipped with connector M12 **CD**

③ Switching Temperature

- Contact switches at +60 °C / +140 °F **60**
- Contact switches at +70 °C / +158 °F **70**
- Contact switches at +80 °C / +176 °F **80**
- Contact switches at +90 °C / +194 °F **90**

Dial Thermometer with Probe Types T1/T2



Characteristics

Visual fluid temperature measurement in conjunction with STAUFF Level Gauges SNA, SNK and SNKK

Nominal Sizes and Designs

- Probe lengths of 200 mm / 7.87 in or 300 mm / 11.81 in
- Scale diameter of 33 mm / 1.30 in

Please contact STAUFF for special versions.

Scale Options

- Celsius scale of 0°C ... +100 °C
- Dual Celsius / Fahrenheit scale of up to +100 °C / +200 °F

Materials

- Probe made of Stainless Steel V4A (1.4571)

Technical Data

- IP 65 protection rating: Dust tight and protected against water jets

Installation

- Requires a special banjo bolt (with internal M8 port for the dial thermometer with probe) to replace the lower standard banjo bolt of the Level Gauge
- Use suitable wrench SW 13 (Hex .51) to fasten; turning on the body itself may damage the product

Please note that Dial Thermometers with Probe can only be ordered in conjunction with Level Gauges SNA, SNK and SNKK. Please see page 14 to 17 for details.

Dimensional drawings: All dimensions in mm (in).

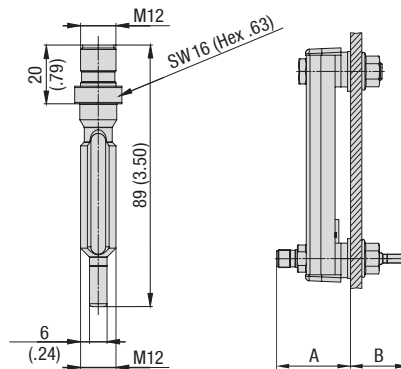
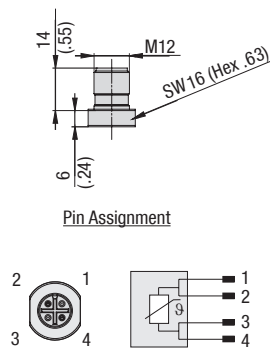


Temperature Sensor Type TS-SNA/SNK-PT100

A

Connection Details and Electrical Functions

Four-pin circular connector M12,
A-coded, according to IEC 61076-2-101



Order Codes

TS-SNA/SNK-PT100

①

① Type

Temperature Sensor PT100 **TS-SNA/SNK-PT100**

Dimensions

	Dimensions (mm/in)	
	A	B
In conjunction with Level Gauge SNA	43,5 1.71	45,5 1.79
In conjunction with Level Gauge SNK	51 2.01	38 1.50
In conjunction with Level Gauge SNKK	51 2.01	38 1.50

Characteristics

Fluid temperature measurement in conjunction with STAUFF Level Gauges SNA, SNK and SNKK; Analysis of signals with required equipment, simply connect to your on board control unit or PLC.

Installation

- Replaces the lower banjo bolt of the Level Gauge
- Available for bolt size M12 only
- Clearance hole: $\varnothing 13$ mm / $\varnothing .51$ in

Materials

- Metal parts (including all fluid-affected parts) made of Stainless Steel V2A (1.4305)

Electrical Specifications

- Measuring temperature range: -40 °C ... $+150$ °C / -40 °F ... $+302$ °F
- Platinum measuring element PT100 according to DIN EN 60751, class A
- Accuracy: $\pm(0,15$ K + $0,002$ x |t|)
- Max. contact current: 2,0 mA
- Equipped with four-pin circular connector M12 with gold-plated contacts

Technical Data

- Operating temperature range (for the connector area): -25 °C ... $+80$ °C / -13 °F ... $+176$ °F
- IP 68 protection rating: Dust tight and protected against powerful water jets; even immersion (beyond 1 m / 3.28 ft) in water is possible under defined conditions of pressure and time

Accessories / Options

- Deutsch Adaptor Cable
- Please see page 20 for details.

Order Codes

TS-SNA/SNK-PT100 - T - B

①

②

③

① Type

Temperature Sensor PT100 **TS-SNA/SNK-PT100**

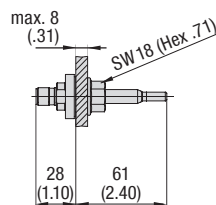
② Direct Adaptor

Direct installation set including M12 screw nut, gasket, front ring and O-ring **T**

③ Sealing Material

NBR (Buna-N®) (standard option) **B**
FKM/FPM (Viton®) **V**
EPDM **E**

The direct installation set can also be used in conjunction with Thermo Switches TS (see page 18). Please contact STAUFF for further information.



Temperature Sensor with Direct Installation Set Type TS-SNA/SNK-PT100-T

Materials

- Fluid-affected parts made of Stainless Steel V2A (1.4305)
- M12 screw nut made of Steel, zinc-plated
- Front ring made of Stainless Steel V2A (1.4305)
- O-ring and gasket made of NBR (Buna-N®) (standard option), FKM/FPM (Viton®) or EPDM

Please see top of this page for Technical Details and Electrical Specifications for the Temperature Sensor.

Accessories / Options

- Deutsch Adaptor Cable
- Please see page 20 for details.

Characteristics

Direct fluid temperature measurement without STAUFF Level Gauges SNA, SNK and SNKK; Analysis of signals with required equipment, simply connect to your on board control unit or PLC.

Installation

- Direct installation to the outer wall of the hydraulic reservoir or gearbox
- Compact design and easy installation
- Clearance hole: $\varnothing 13$ mm / $\varnothing .51$ in

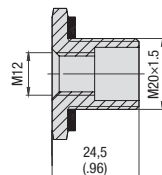


Anti-Drain Valve Type SDV-SNA/SNK

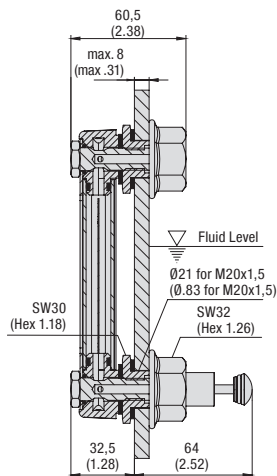
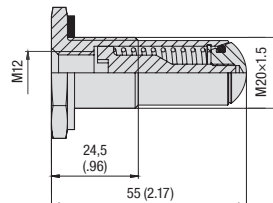
A



Distance Adaptor

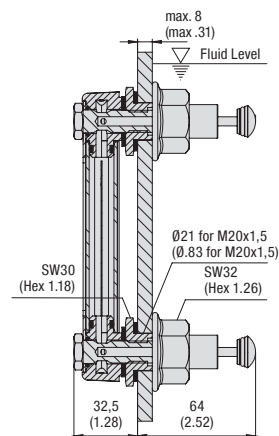


Anti-Drain Valve



Set A

(Max. fluid level of the hydraulic reservoir between the banjo bolts)



Set B

(Max. fluid level of the hydraulic reservoir above the banjo bolts)

Characteristics

Anti-drain valve to be used in conjunction with banjo bolts of level gauges, allowing these to be removed and replaced quickly and easily without spillage of fluid from the hydraulic reservoir

Features

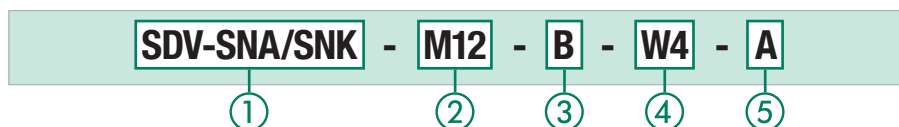
- Used in conjunction with either the lower or both the lower and the upper banjo bolts of the Level Gauge
- Distance adaptor for the upper banjo bolt available when the check valve is used with the lower banjo bolt only
- Available for bolt size M12 only

Materials

- Housing made of Stainless Steel V2A (1.4301)
- Hexagon head nuts made of Steel, zinc/nickel-plated (Fe/Zn Ni 6)
- Sealings made of NBR (Buna-N®)

Contact STAUFF for alternative materials.

Order Codes



① Type

Anti-Drain Valve for use with Level Gauges SNA, SNK and SNKK **SDV-SNA/SNK**

② Banjo Bolt Size

Metric ISO thread M12 **M12**

③ Sealing Material

NBR (Buna-N®) **B**

④ Housing Material

Stainless Steel V2A (1.4301) **W4**

⑤ Set Type

Set A consisting of 1 anti-drain valve to be used with the lower banjo bolt and 1 distance adaptor to be used with the upper banjo bolt **A**
Set B consisting of 2 anti-drain valves to be used with both banjo bolts **B**

Deutsch Adaptor Cable Type DT04-4P



Characteristics

Deutsch adaptor to use for adaption from M12 to Deutsch Plug DT04-4P.

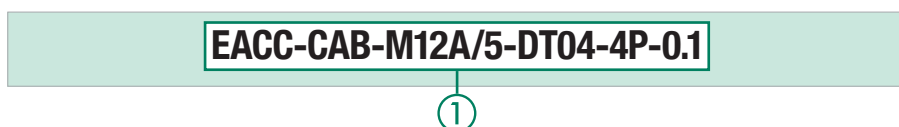
Installation

- Adapts to cable box M12 of SNK
- Adapts to M12 connector of SNKK and TS-SNA/SNK ...
- Adapts to M12 connector of TS-SNA/SNK-PT100
- Adapts to any electrical M12 connector in other Stauff series

Technical Data

- IP 68 protection rating: Dust tight and protected against powerful water jets
- Length: 100mm (3.93 in)
- Operating temperature range: -30°C ... +80°C / -22°F ... +176°F

Order Codes



① Type

Deutsch Adaptor Cable **EACC-CAB-M12A/5-DT04-4P-01**

Dimensional drawings: All dimensions in mm (in).

